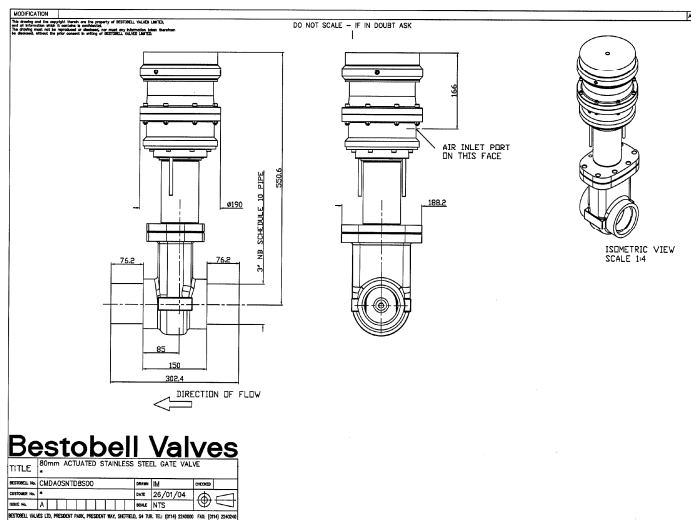


P01 part number: 040406010
 name: **CV**
 material: BRZ
 size: 1/2"FPT **HEROSE #05413.0400.0006**
 Qty.: 79
 price: RMB800 per each (if issue order by Jan. 26,2009 the price can be at RMB800)



P02 part number: 040406021
 name: ACTUATED STAINLESS STEEL GATE VALVE
 material: SS
 size: 80mm **#BESTOBELL CMD90SNED8S00**
 Qty.: 6
 price: 28000 for two pcs at one time, otherwise unit price at RMB19000



P03 part number: 10873817
 name: FILL FITTING PERMA-CYL NITROGE
 material: BRZ
 size: **PARKER # LGO823-16F NEW STYLE**
 Qty.: 25
 price: RMB1800 per each



P04 part number: 11728081
name: CONN LNG QC KODIAK PCI
material: BRZ/SS/AL
size: **PARKER** #LG-1001-12FP
Qty.: 35
price: RMB4453 per each (if issue order by Jan. 26,2009 the price can be at RMB4200)



P05 part number: 13410421
name: **COMBINATION VLV**
material: SS
size: 1-1/2" **HEROSE** #07015.4048.0000
Qty.: 15
price: RMB10532 per each (if quantity ordered exceeded two pcs at one time, the price can be reduced by RMB632)

Valves for Cryogenic Service

Type 07015 - Fill cluster with check function

Cryogenic-Fill cluster, PN50
Stainless steel body and bronze topwork
with check function and drain valve
"live loaded" gland packing
* cleaned and degreased for oxygen service *

Part No. 07015.X.5000
Fill connection: Air Liquide specified flange
Socket weld connection for stainless steel pipes
acc. to DIN EN ISO 1127 and ASTM A312

Available options - on request only:
- other fill connections

Applications:
Approved for air gases and cryogenic liquefied gases such as oxygen, nitrogen, krypton, carbon dioxide, argon, dinitrogen monoxide, trifluoromethane, carbon oxide, methane, ethane and ethylene.
Working temperature: -196°C / -321°F (77K) up to +120°C / +248°F (393K)



P06 part number: 13410501
name: globe valve
material: BRZ
size: 1-1/2" EXT.STEM **HEROSE #01311.4048.0017**
Qty.: 70

price: RMB3573 per each (if quantity ordered exceeded two pcs at one time, the price can be reduced to RMB3300)

part number: 13410519
name: globe valve
material: BRZ
size: 2" EXT.STEM **HEROSE #01311.5060.0017**
Qty.: 22

price: RMB5900 per each (if quantity ordered exceeded two pcs at one time, the price can be reduced to RMB5600, once you issue order by Jan. 26,2009 the price can be down by more RMB100)

Valves for Cryogenic Service
Type 01311 - Globe Valve

Cryogenic-Globe and Globe/Check Valves, PN50
Bronze body and topwork
"live loaded" gland packing
"cleaned and degreased for oxygen service"

Part No. 01311.X.0017 (H=270mm)
Part No. 01311.X.0027 (H=370mm)
Part No. 01311.X.5017 (H=270mm) Globe/Check Valve
Part No. 01311.X.5027 (H=370mm) Globe/Check Valve
Complete with stainless steel stubs acc. to DIN EN 10216-5 or ASTM A312

Available options - on request only:
· Extension H up to 900mm
· Valve with control disc (tapered design)

Applications:
Approved for air gases and cryogenic liquefied gases such as oxygen, nitrogen, krypton, carbon dioxide, argon, dinitrogen monoxide, trifluoromethane, carbon oxide, methane, ethane and ethylene.
Working temperature: -196°C / -321°F (77K) up to +120°C / +248°F (393K)



P07 part number: 13425833
name: **RV**
material: SS
size: 2"FL*3"FL@13.46Bar **HEROSE #06347.0500.0000**
Qty.: 4
price: RMB23000 per each (buy one get one free)



P08 part number: 13550002

name: CV

material: SS

size: 1-1/2" BW BESTOBELL #CGT70B1B0C

Qty.: 20

price: RMB1600 per each (if issue order by Jan. 26,2009 the price can be reduced to RMB1500)



P09 part number: 13561755

name: COMBINATION VALVE

material: BRZ

size: 1-1/2" HEROSE #07004.4048.7027

Qty.: 7

price: RMB10532 per each (if quantity ordered exceeded two pcs at one time, the price can be reduced by RMB632)



P10 part number: 13610537
name: **DIV VALVE**
material: SS
size: 2-1/2" BW **TBV #25S2DB106L36CT201**
Qty.: 3
price: RMB33000 per each (buy one get one free)



P11 part number: 13629705
name: **LLG**
material: BRZ / SS
size: DIFF PG 160mmDIAL 0-6000mmH2O **WIKA #732.51.2170** WT 0-25BAR
Qty.: 9
price: RMB8900 per each (if issue order by Jan. 26,2009 the price can be at RMB8600)



P12 part number: TE0420-3
name: **RPD**
material: BRZ
size: **3/4" MPT 298Psi BS&B**
Qty.: 100
price: RMB600 per each (If the quantity ordered exceeds 10pc at one time, the price can be down to RMB400)



P13 part number: TJ0109

name: COMBINE VALVE

material: 铜(BRZ)

size: DN40 BESTOBELL #CTG70PPDA6CCM

Qty.: 35

price: RMB11000 per each (if quantity ordered exceeded two pcs at one time, the price can be reduced to RMB9500)



P14 part number: TJ0111

name: globe valve

material: BRZ

size: 2-1/2" BW BESTOBELL #CN190SSTD4F

Qty.: 25

price: RMB6100 per each



P15 part number: TJ0118
name: 低温截止阀(globe valve)
material: 铜(BRZ)
size: 3/4" BESTOBELL CNB40SSEB6F
Qty.: 109

price: RMB1200 per each (If the quantity ordered exceeds 5pc at one time, the price can be down to RMB1000)



P16 part number: 13410480
name: globe valve
material: BRZ
size: 1" EXT.STEM HEROSE #01311.2533.9011
Qty.: 55
price: RMB1670 per each



P17 part number: 13410535
name: DIV VALVE
material: BRZ
size: 1"3/4"3/4BSPT BLACKHALL #SERIES 2005 TYPE 24
Qty.: 78
price: RMB3500 per each

Note: if the quantity ordered exceeds 5 pcs, you can get 10% discount



P18 part number: 13412784
name: **RV (ROCKWOOD)**
material: BRZ
size: 3/4"MPT*1"FPT@16BAR RXSO #710NBDE-A232 UV STAMP
Qty.: 239
price: RMB2200 per each



part number: 13412805
name: **RV (ROCKWOOD)**
material: BRZ
size: 1/2"MPT*3/4"FPT @58PSI RXSO #710NACD-A058 UV STAMP
Qty.: 76
price: RMB2300 per each

part number: 13587189
name: **RV (ROCKWOOD)**
material: BRZ
size: 1/2"MPT*3/4"FPT @122PSI RXSO #710NACD-A122 UV STAMP
Qty.: 41
price: RMB2200 per each

part number: 13550167
name: RV (ROCKWOOD)
material: BRZ
size: 1/2"MPT*3/4"FPT @341PSI RXSO #710NACD-A341 UV STAMP
Qty.: 16
price: RMB2300 per each

Note: if the quantity ordered exceeds 5 pcs, you can get 10% discount



P19 part number: 13470765
name: LLG (DIFF PG)
material: BRZ / SS
size: 160MMDIAL 0-2000MMH2O WIKA #732.51.2170 WT 0-25BAR
Qty.: 10
price: RMB9100 per each



P20 part number: 13601374
name: LLG (DIFF PG)
material: BRZ / SS
size: 6" DIAL 0-6000MM H2O WIKA #732.26
Qty.: 71
price: RMB5800 per each (if the quantity ordered exceed 4 pcs at one time, you can get more RMB300 discount)



P21 part number: TF1201
name: **NEEDLE VALVE**
material: BRZ
size: BRS 3/8" **NUPRO #B-6JN**
Qty.: 545
price: RMB200 per each (if the quantity ordered exceed 10 pcs, you can get more RMB50 discount)



P22 part number: TJ0131
name: **CV**
material: BRZ
size: DN40 **BESTOBELL #CG170SSEADF**
Qty.: 59
price: RMB2200 per each (if the quantity ordered exceeds 5 pcs, you can get 10% discount)

